

HUCK® INTERACTIVE CD ROM : SPECIFICATIONS

LH224

LH-224

Pneudraulic Installation Tool

Specifications

Weight:

2.8 kg (6.17 lbs.)

Required Air Pressure:

6.21-6.9 bar (90-100 psi)

Stroke:

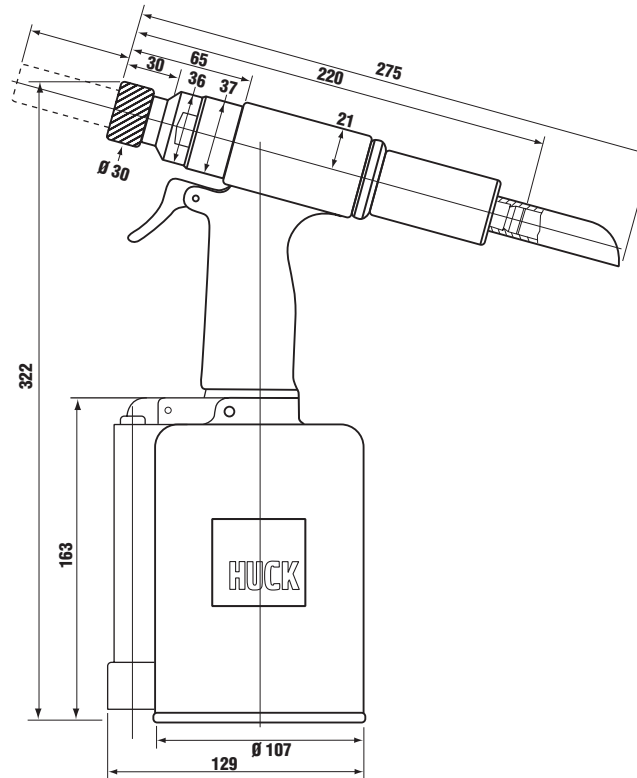
21 mm (0.828")

Hydraulic Fluid:

Automatic Transmission Fluid
DEXTRON II® or equivalent

Capacity:

19 kN @ 6.21 bar
(4271 lbs @ 90 psi)



HUCK® INTERACTIVE CD ROM : NOSE ASSEMBLY TABLE

LH224

Some Nose Assemblies & Fasteners for use with the LH-224 & LH224B tools

Type	Diameter	Nose Assembly
MAGNA-LOK	4.8 mm (3/16")	99-3300, 99-3303 , 99-3304
	6.4 mm (1/4")	99-3301, 99-3305 , 99-3306
MAGNA-BULB	4.8 mm (3/16")	99-3300, 99-3303 , 99-3304
	6.4 mm (1/4")	99-3301, 99-3305 , 99-3306
AUTO-BULB	4.8 mm (3/16")	99-3300, 99-3303 , 99-3304
	6.4 mm (1/4")	99-3301, 99-3305 , 99-3306
HUCKLOK	6.4 mm (1/4")	99-3301, 99-3305 , 99-3306
MAGNA-TITE	4.8 mm (3/16")	99-3487-6MT
	6.4 mm (1/4")*	99-3487-8MT
C6L NOT WITH 8LC COLLAR	4.8 mm (3/16")	99-3003 , 99-3004
	6.4 mm (1/4")	99-3006 , 99-3007
MAGNA-GRIP	4.8 mm (3/16")	99-3200, 99-1456 , 99-3202
	6.4 mm (1/4")	99-3203, 99-1458 , 99-3205, 99-1477UK

Items in **bold** are part of our FOCUS Tooling Range